



0-10V Dimmable LED Drivers—LKAD011D-C

—产品特性/Feature—



- 120-240VAC (50/60Hz) 输入/120-240VAC (50/60Hz) Input
- 隔离高PF无频闪方案，。采用最新的调光信号与主输出的隔离调光认证方案 No stroboscopic scheme for high PF isolation,. Using the latest dimming signal and main output isolation dimming certification scheme
- 高效率、高功率因素，高稳定性，高调光比 High efficiency, high power factor, high stability, high light ratio
- 短路保护，过流保护，过压保护，过温保护/ Short circuit, over voltage, over current and over temperature protection;
- 独立外置，Class II 恒流类型/ independent, Class II constant current type;
- 防护等级 IP20/ degree of protection IP20;
- 实现了真正的0-10V调光，全程无频闪，兼容市场上所有的调光控制系统。 It realizes true 0-10V dimming, no flicker in the whole process, and is compatible with all dimming control systems in the market.
- 3年质保期/ 3 years warranty.



产品参数/Specification

Model		LKAD011D-C	备注
输入 Input	输入电压范围/Input Voltage range	120-240V	
	频率/Frequency	50/60hz	
	谐波/THD	≤10%/230VAC	
	功率因数/Power factor	0.98/230VAC	
	输入电流 Input current (mA)	70MA/230V	
	待机功耗 stand_by power	≅ 1W	
	浪涌电流 Inrush Current (Max.)	≤30A@230VAC	
	漏电流 Leakage Current	<1MA/240V	
输出 Output	额定电压/Rated voltage	40V	
	空载电压/No-load Voltage	≅ 42V	
	工作电压范围/working voltage range	10-40V	
	可选择电流规格 /selectable current	350MA ± 10MA	
	电流精度/Current precision	(+/-) 2%	
	额定功率/Rated power	14W	
	开机延时/Setup Time	≤0.5s/230VAC	
	输出线性调整率Output Line Regulation	±5%	
	温度漂移temperature drift	±10%	

保护特性	开路保护Output open circuit protection	有/Enable	
	短路保护Short Circuit Protection	打嗝模式/Hiccup mode	
使用环境 Environment Requirement	工作温度/湿度要求 Operating Temp./RH	-30~+45°C/20~95%	
	储存温度,湿度要求 Storage Temp./RH	-40~+80°C/10~95%	
安全和电磁兼容 Safety & EMC	认证编号/Certificate	符合CE/ meet CE	
	耐压 withstand voltage	3750VAC/60S	
	绝缘阻抗insulation resistance	500V>100M	
	浪涌等级EMS immunity	IEC6100-4-5 (L-N:1KV)	
	安规标准Safety standard	IEC61347-2-13 EN6147-2-13	
	电磁干扰electromagnetic interference	Fcc Part15B	
	电磁抗干扰 Electromagnetic	Fcc Part15B	
其他 Others	IP等级说明 IP level description	IP20	
	质保说明Warranty instructions	3年/3 years	
	尺寸/Size	55*22MM	
	重量/Netweight	100g	
注意事项 matters needing attention	<p>1. 建议客户在灯具供电回路中安装过欠压保护与浪涌保护装置, 以确保用电安全 1. pls suggest the client to instal the unde voltage protection device and surge protection device to ensure Electricity safety</p> <p>2. 电源作为整灯灯具中的一个零部件与终端设备结合使用, 因EMC性能受LED灯具及走线的影响, 终端设备制造商需对整套装置重新进行EMC确认。 2. The power supply is considered a component which will be installed a final equipment. The final equipment must be re-confirmed that it still meets EMC directives.</p> <p>3. 客户在使用电源时, 注意电源通风散热和环境温度, 超过TA时要做降额使用 3. Becareful of ambient temperature and heat dissipation during the client use this unit, When exceeding TA, the power supply shall be derated</p>		

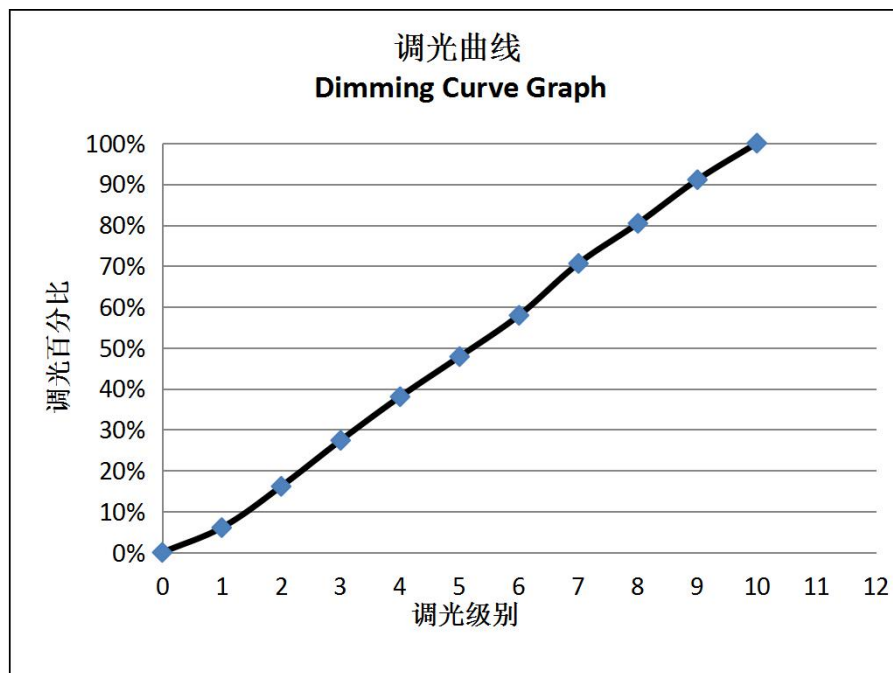
测试数据/Test data

输入电压 Input voltage (Vac)	输入电流 Input current (mA)	输入功率 Input power (W)	功率因数 PF	输出电压 Output voltage (Vdc)	输出电流 Output current (mA)	输出功率 Output Power (W)	转换效率 Efficiency (%)
240V	69.89	16.52	0.983	40.00	347	13.88	84%
	62.07	14.63	0.980	35.00	348	12.18	83%
	51.04	11.94	0.973	28.00	348	9.74	82%
	38.37	8.85	0.958	20.00	348	6.96	79%
	23.80	5.22	0.912	10.00	359	3.59	69%
200V	83.15	16.51	0.989	40.00	347	13.88	84%
	73.60	14.60	0.989	35.00	348	12.18	83%
	60.13	11.88	0.985	28.00	348	9.74	82%
	44.77	8.78	0.977	20.00	348	6.96	79%
	26.77	5.10	0.948	10.00	358	3.58	70%

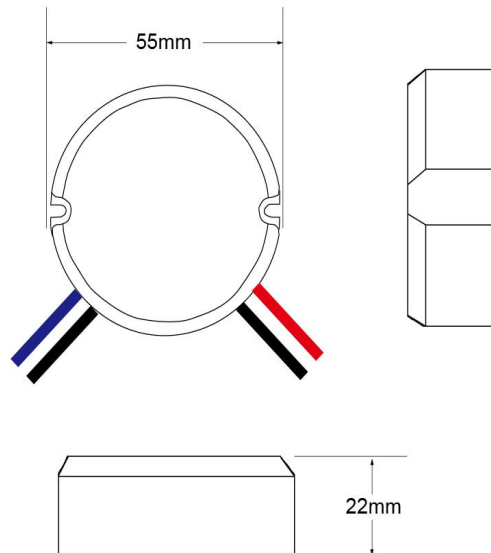
120V	143.70	17.27	0.991	40.00	348	13.92	81%
	125.90	15.12	0.994	35.00	348	12.18	81%
	100.80	12.10	0.997	28.00	348	9.74	81%
	73.51	8.82	0.995	20.00	348	6.96	79%
	42.16	5.01	0.989	10.00	358	3.58	71%

调光测试数据Dimming test data

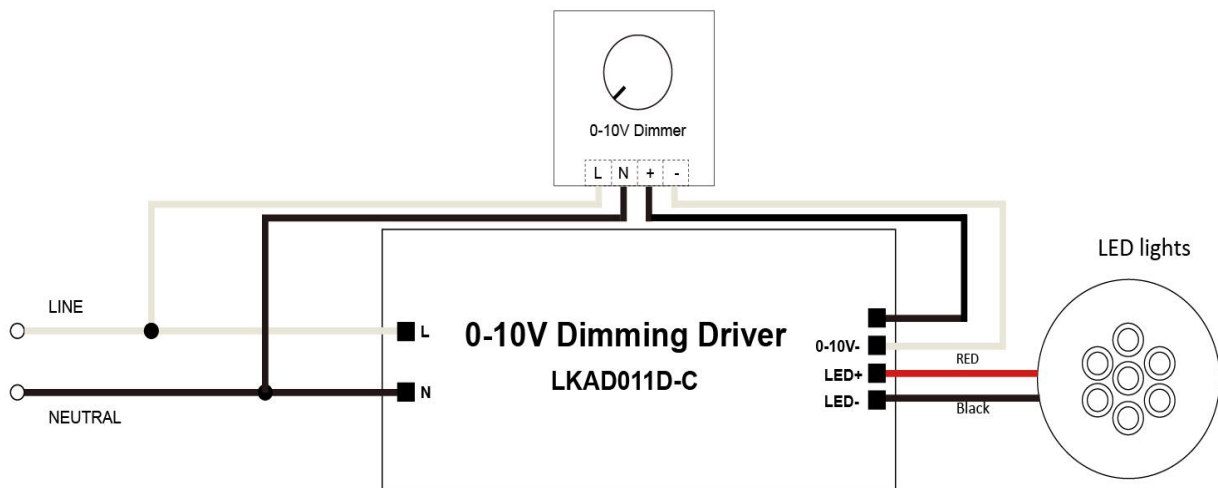
输入电压 Input voltage (Vac)	输入电流 Input current (mA)	输入功率 Input power (W)	功率因数 PF	输出电压 Output voltage (Vdc)	输出电流 Output current (MA)	输出功率 Output Power (W)	调光电压 Dimming voltage (V)	百分比	
120V	8.81	0.46	0.433	40.000	0.00	0.00	0V	0.00%	0
120V	14.91	1.7	0.940	40.000	21.00	0.84	1V	6.05%	1
120V	27.20	3.22	0.979	40.000	56.00	2.24	2V	16.14%	2
120V	41.20	4.93	0.989	40.000	95.00	3.80	3V	27.38%	3
120V	54.94	6.64	0.994	40.000	132.00	5.28	4V	38.04%	4
120V	68.22	8.24	0.990	40.000	166.00	6.64	5V	47.84%	5
120V	81.61	9.86	0.996	40.000	201.00	8.04	6V	57.93%	6
120V	98.98	11.96	0.996	40.000	245.00	9.80	7V	70.61%	7
120V	113.10	13.66	0.995	40.000	279.00	11.16	8V	80.40%	8
120V	129.20	15.61	0.990	40.000	316.00	12.64	9V	91.07%	9
120V	142.70	17.05	0.990	40.000	347.00	13.88	10V	100.00%	10



产品尺寸图/ Product Size Diagram



产品接线示意图/ Product Connection Diagram



备注/Note:

"1. 所有没提及到的参数都是在230V输入，额定负载和在周围温度为25°C的情况下测试的；
All parameters NOT specially mentioned are measured at 230VAC input, rated load and 25 of ambient temperature;

2. 注意接线的方向，不要搞反输入和输出端。

Pay attention to the direction of wiring, do not reverse the input and output terminals,.

广东领冠智能科技有限公司

Guangdong Linkuan Smart Tech Co.,Ltd.

地 址：广东省东莞市万江区大莲塘工业区3号

Address: NO.3 Building, Daliantang Industrial Park,
Wanjiang

District, Dongguan, Guangdong, China

Tel: +86-769-23129651

Fax: +86-23129652